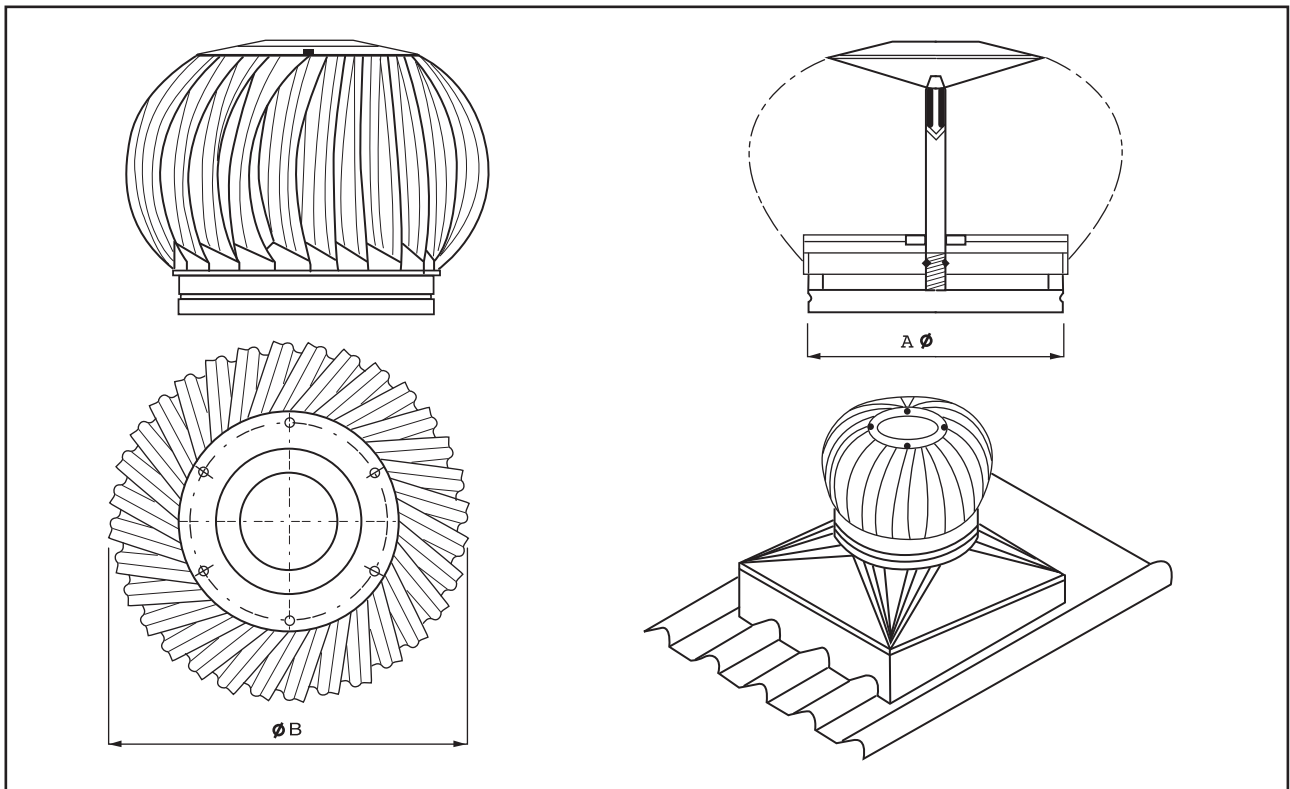


Natural Roof Ventilator

- Blade materials: Aluminum or Stainless steel
- Adapter materials: Galvanized sheet or stainless steel
- Base materials: Fiberglass, Galvanized sheet or Stainless steel

Applications:

- Ventilating heat in industry.
- Ventilating heat in the house.



Size Ø (A)	Number of blades	Diameter (Impeller) Ø (B)	Weight (kg)	The efficiency of the ventilation (Average speed 6 Miles/Hour)
14"	24	19"	2.8	72,000 CFH
18"	30	22.5"	3.4	92,000 CFH
22"	36	28"	7.2	170,000 CFH
25"	42	30"	8.2	190,000 CFH
30"	42	41"	15.8	240,000 CFH
39"	54	46"	19.2	350,000 CFH

* Dimension might be adjusted without notice